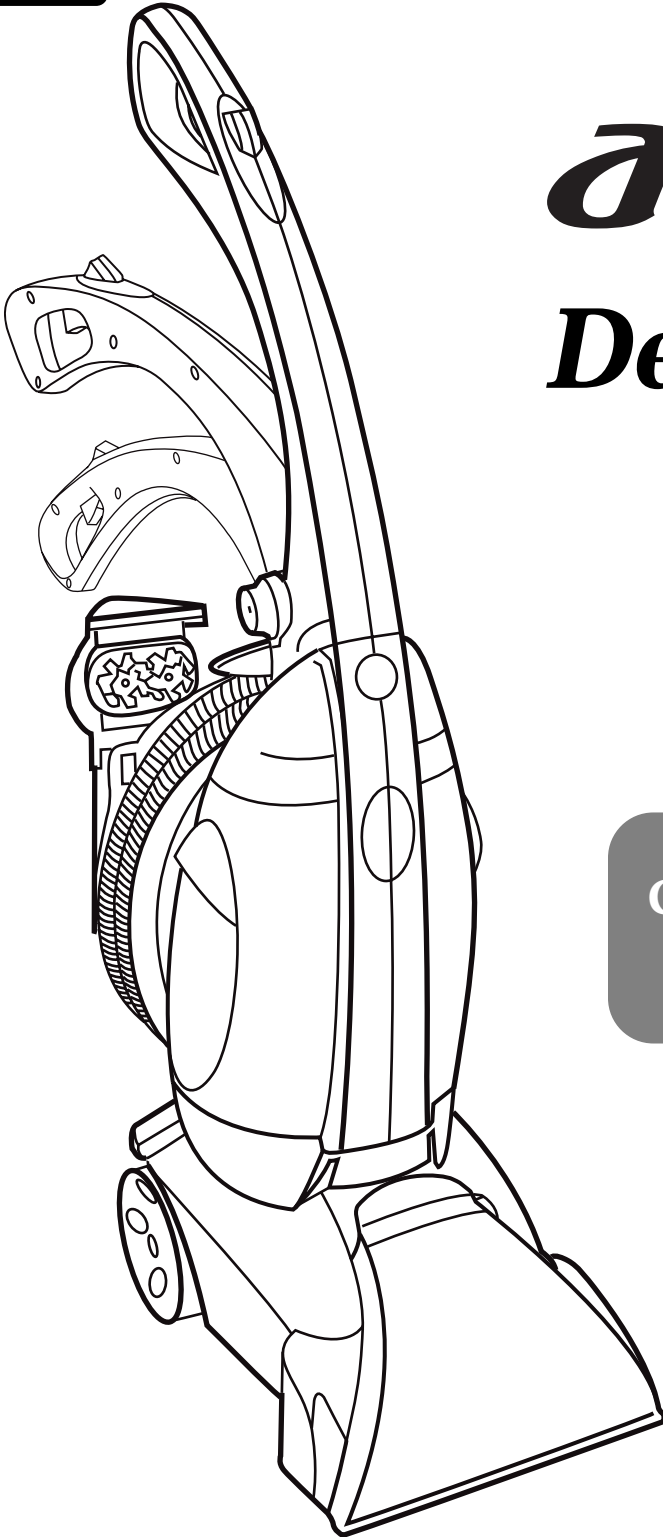




MAYTAG



*agility*TM
Deep Cleaner

Your AGILITYTM Deep Cleaner is fully assembled and ready to begin cleaning!

Important Safeguards!

When using an electrical appliance, always follow basic precautions, including the following:

READ ALL INSTRUCTIONS BEFORE USING APPLIANCE.

WARNING: To reduce the risk of fire, electric shock, or injury:

- Use indoors only.
- Use only on surfaces moistened by the cleaning process. Do not immerse product.
- Connect to a properly earthed source using the factory fitted plug and cable only.
- Do not clean over floor electrical outlets.
- Do not use without tanks in place.
- Use extra care when cleaning on stairs. Do not place deep cleaner on stairs.
- Use deep cleaner only for its intended use as described in the instructions.
- Use only attachments supplied or recommended.
- The use of an extension cord is not recommended.
- Unplug deep cleaner when not in use. Turn off all controls before unplugging.
- Unplug deep cleaner before connecting the powered hand tool.
- Always disconnect cable from electrical source before servicing the deep cleaner.
- Do not unplug by pulling on cable. To unplug, grasp the plug, not the cable.
- Never handle plug or appliance with wet hands.
- Do not pull or carry by cable, use cable as a handle, close door on cable or pull cable around sharp edges or corners. Do not run appliance over cable. Keep cable away from heated surfaces.
- Do not use with damaged cable or plug. If appliance is not working as it should, please refer to "Trouble Shooting".
- Do not point tools toward people or pets.
- Keep detergents and other cleaners out of children's reach.
- Do not use to pick up flammable or combustible liquids or use in areas where they may be present.
- Avoid picking up hard, sharp objects with the deep cleaner. They may damage the machine.
- Keep hair, loose clothing, fingers, feet and all parts of body away from openings and moving parts.
- Store in a dry place. Do not expose machine to freezing temperatures.

Save these instructions!

To contact us:

- www.maytag.co.uk
- **01737 231000 - our Consumer Response Centre (9 AM to 5 PM Monday - Friday)**
- ukservice@maytag.com

Fill in and Save

For your records, enter the model number and serial numbers in the spaces provided. These numbers are located on the data label on the underside of the cleaner.

Model No. _____

Serial No. _____

Save your sales receipt and attach it to this manual. Proof of date of purchase may be required for the guarantee.

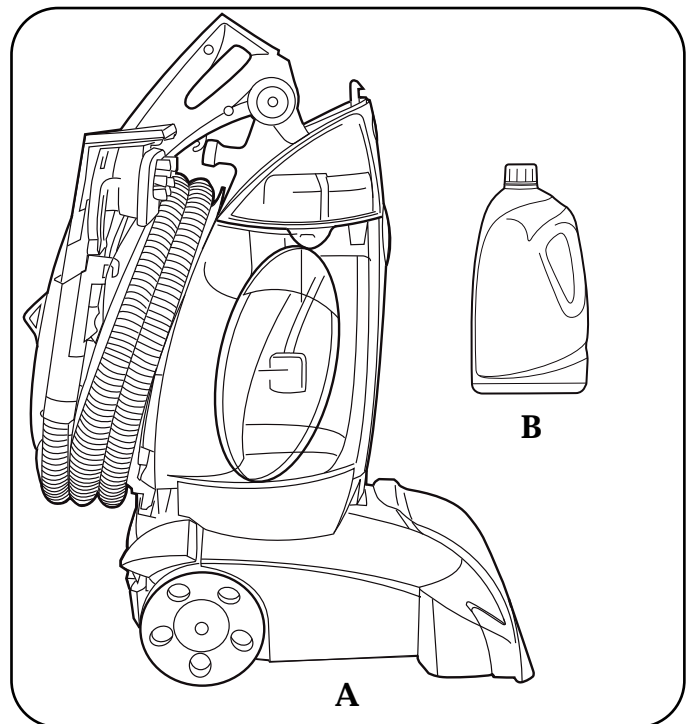
Contents

Important safeguards	2
Unpacking	3
Cleaner description	4
Deep cleaner basics	5
Filling the tank	5
Emptying the recovery tank ..	6
Attaching the hose	7
Selecting & attaching tool ...	7
Draining & storing hose	8
Cleaning carpet	10-11
Cleaning upholstery	11-12
Basic steps for cleaning	13
Troubleshooting	14

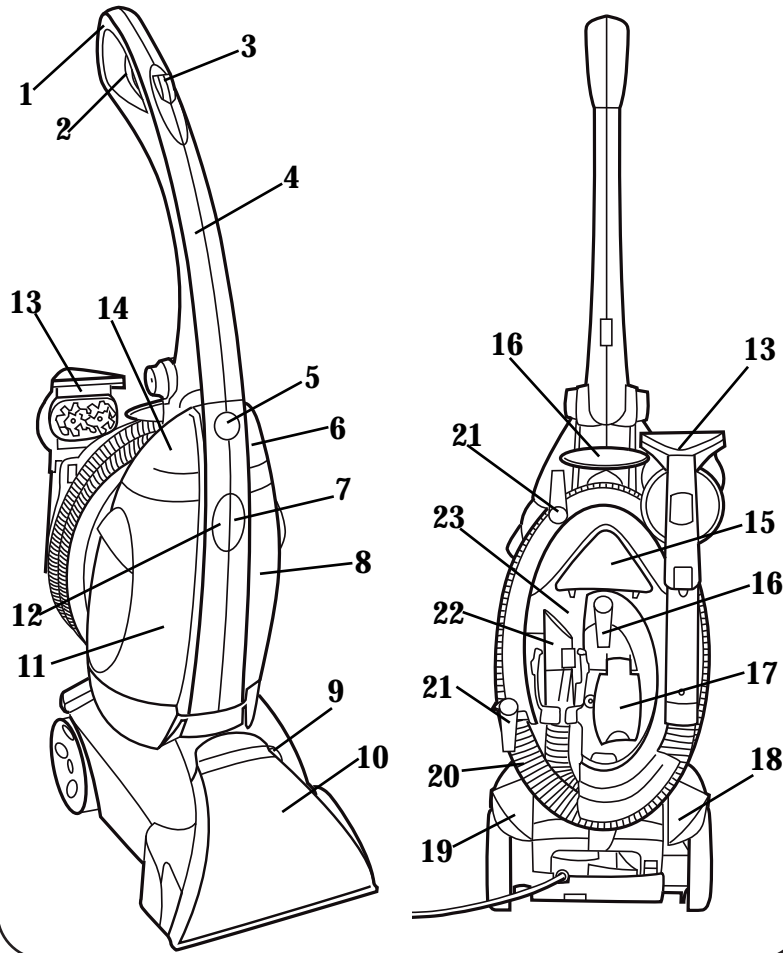


Unpacking

- A. Deep cleaner
- B. Detergent



Cleaner Description



Features

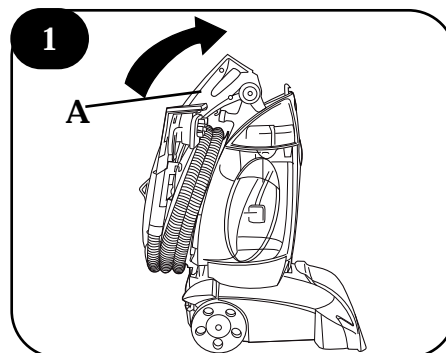
1. Hand grip
2. Solution trigger: press to release cleaning solution
3. Clean Surge™ button
4. Upper handle
5. Upper handle release button
6. Solution tank cap/measuring cup
7. Solution tank release button
8. Solution tank
9. Brush setting selector
10. Nozzle
11. Recovery tank
12. Recovery tank release button
13. Powered hand tool
14. Recovery tank cap
15. Stair/upholstery nozzle
16. Cable hooks (tool caddy removed)
17. Hose door
18. Handle release pedal
19. ON/OFF pedal
20. Hose
21. Cable hooks (tool caddy stored on cleaner)
22. Hose connector
23. Tool caddy

This deep cleaner is intended for household use.

Operate deep cleaner only at voltage specified on data plate on back of cleaner. Plug deep cleaner into a properly earthed source.

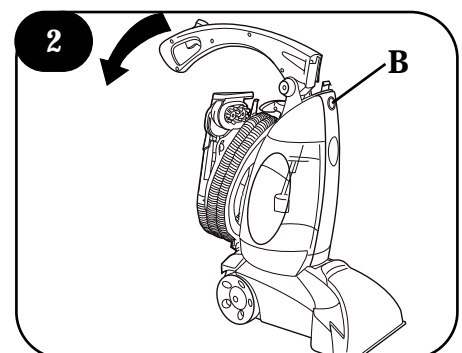
Your **AGILITY™** Deep Cleaner is fully assembled and ready to begin cleaning!

Unfold handle



Raise upper handle (A) to upright position until it locks in place.

How to fold handle



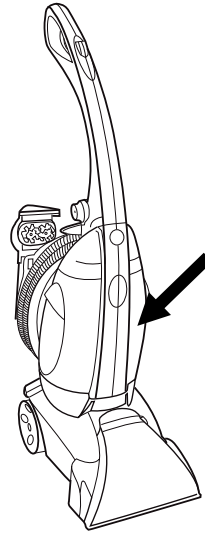
Press upper handle release button (B) to fold handle.

Deep Cleaner Basics

Fill the solution tank

Unplug deep cleaner from electrical source.

- ✓ Press button (A) and remove solution tank (Fig. 3)
- ✓ Release latches (B) on tank cap and remove (Fig. 4)
- ✓ Use cap (Fig. 5) to measure the proper amount of detergent according to the chart below:



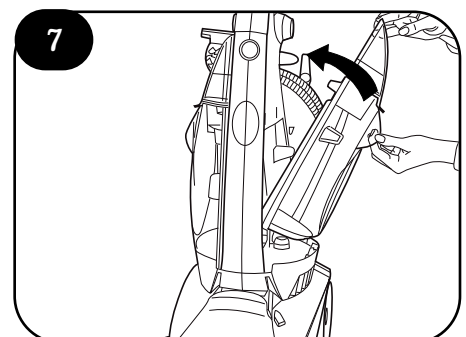
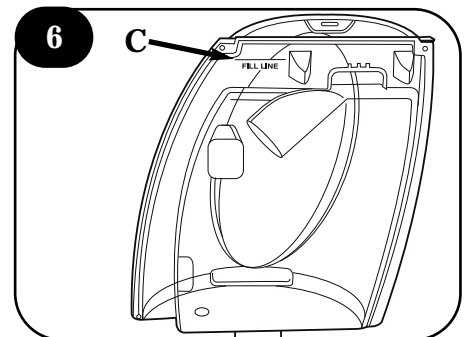
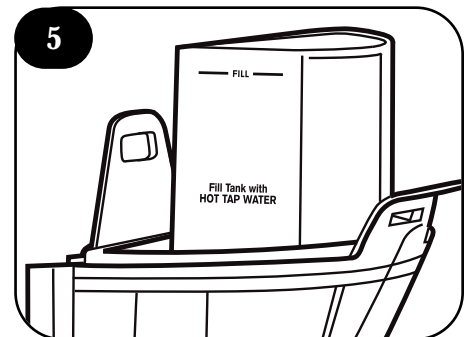
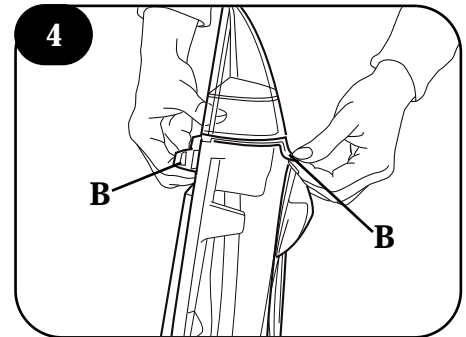
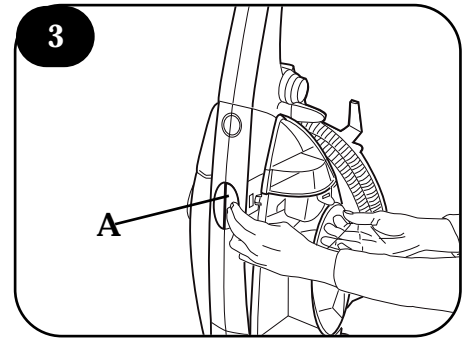
Surface	Amount of detergent	Type of detergent
Carpet	two caps	Carpet/ Upholstery Detergent
Upholstery	one cap	Carpet/ Upholstery Detergent

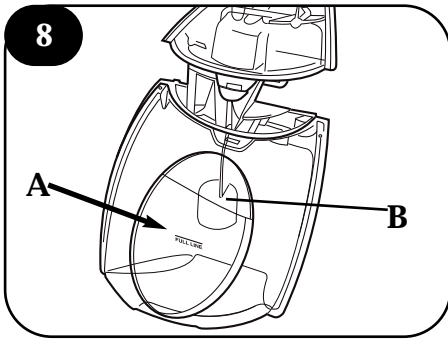
NOTE: For best results, use only MAYTAG detergents.

They are specifically formulated for use with your AGILITY™ Deep Cleaner.

- ✓ Pour detergent into tank
- ✓ Fill tank to fill line (C) (approx. 4 litres) with hot tap water (Fig. 6)
- ✓ Replace cap. Secure both latches (B) (Fig. 4)
- ✓ Place bottom of tank onto cleaner. Pivot top of tank and snap in place (Fig. 7)

Caution: Detergents contain Anionic and Nonionic Surfactants. Avoid contact with the eyes and skin. In case of contact with eyes, flush with cold water for 15 minutes. In case of contact with skin, wash with water. If irritation persists, refer to your GP.





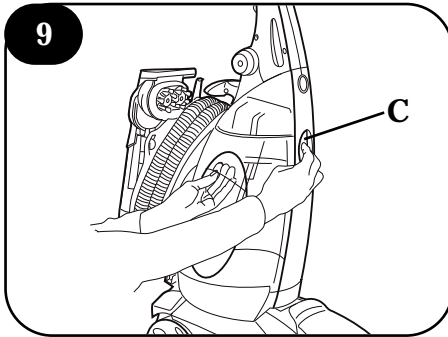
Empty the recovery tank

Unplug deep cleaner from electrical source.

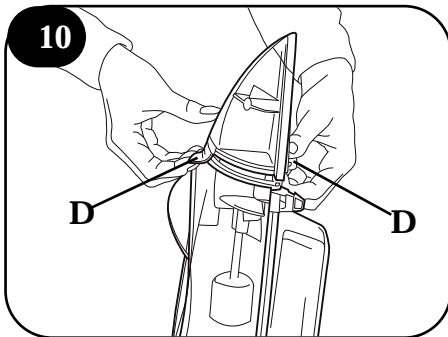
- ✓ An automatic shut-off device prevents the cleaner from picking up more dirty water than it can hold in the recovery tank.

You will know the tank needs to be emptied --

- The amount of dirty water has reached the full line (A).
- When the motor sound rises in pitch.
- You do not see dirty solution coming up through the nozzle.
- The float (B) inside the recovery tank has risen to the top of the tank (Fig. 8).



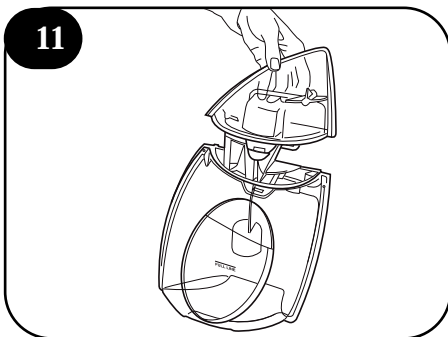
- ✓ Press button (C) and remove tank (Fig. 9).



- ✓ Release latches (D) on tank cap and remove cap (Fig. 10).

- ✓ Empty tank.

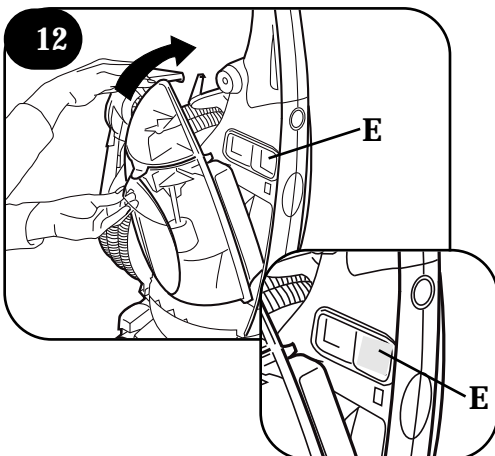
- ✓ Replace cap (Fig. 11). Secure both latches (D) (Fig. 10).



For full suction, it is important that the recovery tank cap is properly secured before cleaning.

- ✓ Remove any debris that has collected on lint filter (E) on cleaner body (Fig. 12 and inset).

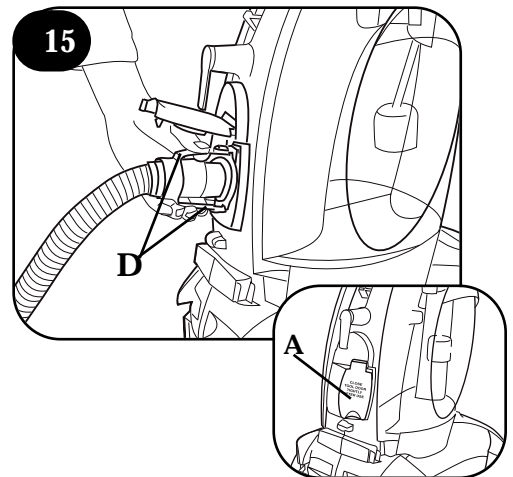
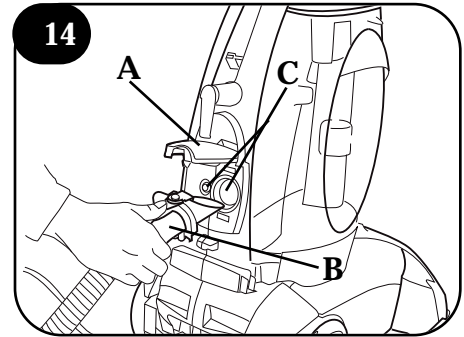
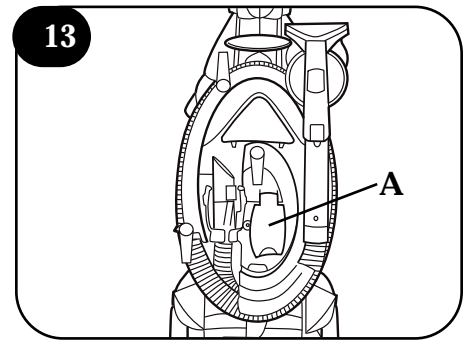
- ✓ Place bottom of tank onto cleaner. Pivot top of tank and snap in place (Fig. 12).



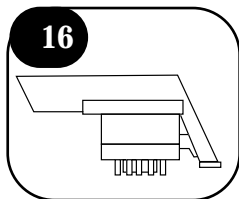
Attach the hose

Unplug deep cleaner from electrical source.

- ✓ Place handle in upright position.
- ✓ The hose and tool caddy can be removed from the cleaner if you desire.
- ✓ Remove hose from tool caddy.
- ✓ Open hose door (A) on back of deep cleaner (Fig. 13).
- ✓ Align hose connector with hose and solution ports (C) (Fig. 14).
- ✓ Push hose into port and lock in place.
- ✓ To remove hose: Squeeze latches (D) on top and bottom of hose. Remove hose from port (Fig. 15).
- ✓ Close hose door (A) tightly (inset).

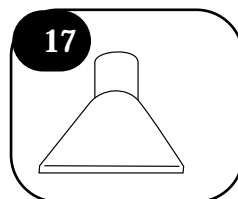


Select tool



SpinScrub™ hand tool

- Rotating brushes
- Use on carpet to clean spots, small areas or stairs



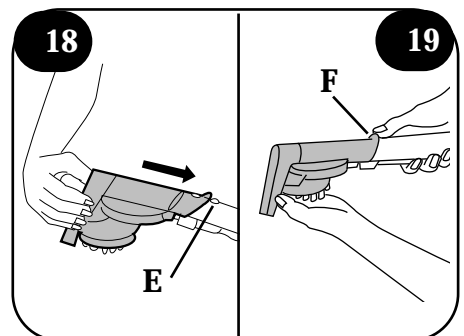
Stair/Upholstery nozzle

- Built-in brush
- Use on upholstery

Attach tool

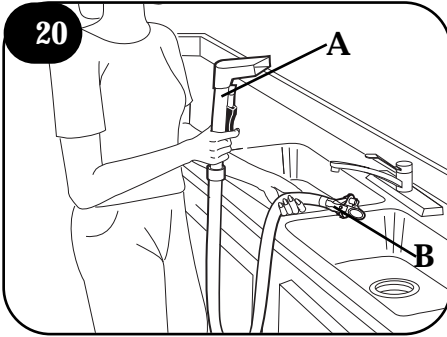
Unplug deep cleaner from electrical source.

- ✓ Slide tool onto hose. Snap tool over tab (E) on hose (Fig. 18).
- ✓ To remove tool: Push forward and up on latch (F) (Fig. 19). Slide tool off hose.



Continued →

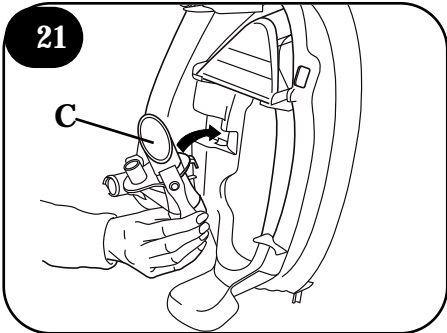
The handle must be in the upright position in order to get cleaning solution through the hose.



Drain the hose

When finished using the hose and tool, remove water from the hose.

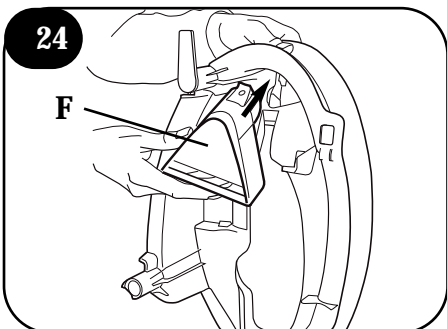
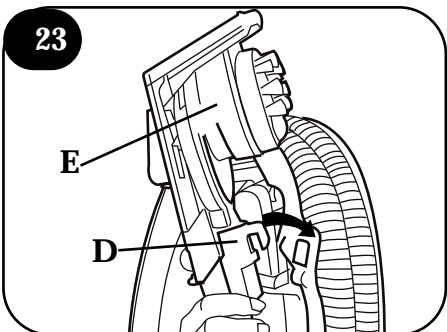
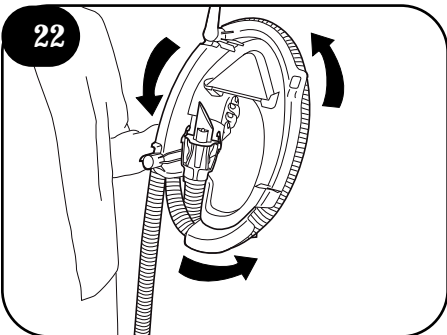
- ✓ Turn deep cleaner on and hold end of hose up for several seconds (A). **Do not press trigger.** (Fig. 20)
- ✓ Turn deep cleaner off and unplug it.
- ✓ Hold hose connector in sink and press trigger to remove solution from hose (B) (Fig. 20).



Store hose

Unplug deep cleaner from electrical source.

- Hook hose connector (C) into caddy (Fig. 21).
- Wrap hose around caddy in a anticlockwise direction (Fig. 22).
- Hook tool connector (D) and 'SpinScrub' tool (E) onto caddy (Fig. 23).
- Snap upholstery tool (F) into caddy (Fig. 24).

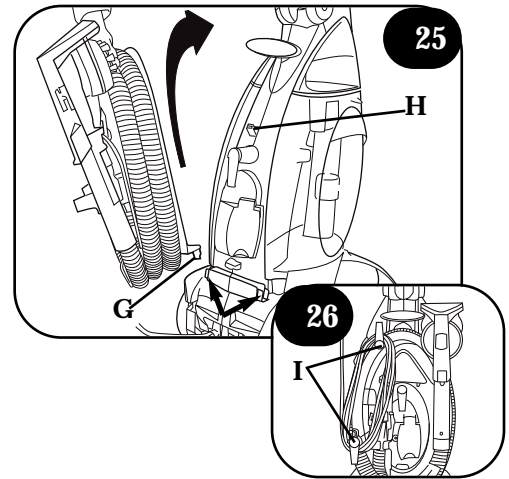


Hose caddy

You can either store the hose caddy on the cleaner or remove it to store separately.

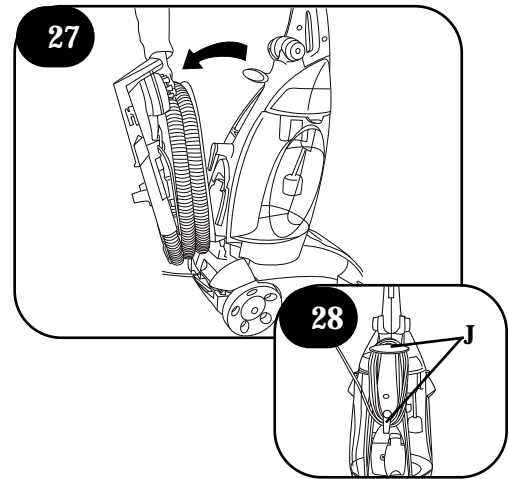
To store caddy on the cleaner:

- Slide tabs (G) on caddy into slots on back of cleaner (Fig. 25).
- Hook top of caddy to cleaner (H).
- Wrap cable around cable hooks (I) on caddy (Fig. 26). Rotate top hook to release cable.



To remove caddy from the cleaner:

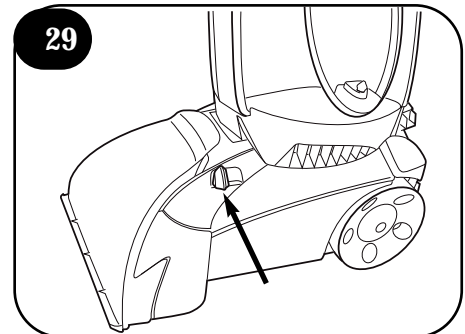
- Lift caddy off cleaner (Fig. 27).
- Wrap cable around cable hooks (J) on back of cleaner (Fig. 28). Rotate bottom hook to release cable.



Brush speed selector

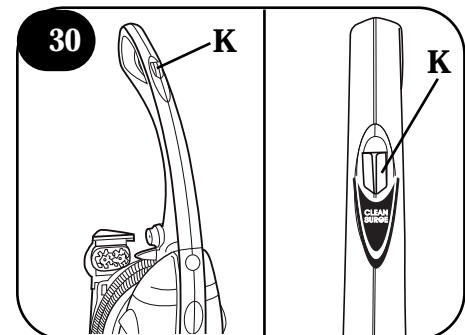
Choose **ON** for normal cleaning of carpet.

Choose **OFF** when brushing is not desired.



Clean Surge™ button

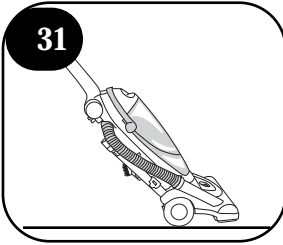
Push 'Clean Surge' button (K) to release extra cleaning solution. Use the 'Clean Surge' button when cleaning heavily soiled areas of carpet (traffic areas, spots, etc.)



No cleaning solution removes all stains from all carpets. Stain removal varies with the type of spill, time passed before removal, carpet material, and carpet type.

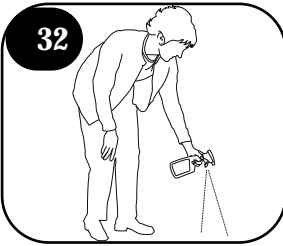
Cleaning carpet

- 1** Remove **lightweight furniture** (tables, lamps, etc.) from area to be cleaned. Protect any remaining furniture by pinning up furniture skirts and placing aluminium foil or plastic under legs.

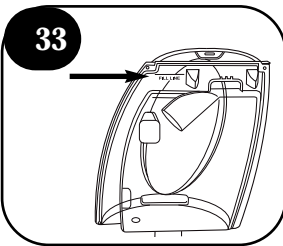


- 2** Vacuum **carpet thoroughly** to remove loose dirt, hair, lint and other debris (Fig. 31).

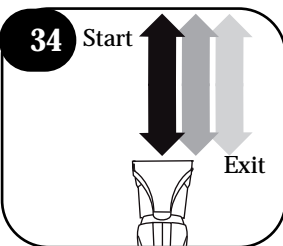
- 3** Test **detergent for colorfastness** on a hidden area of carpet. Wet a white cloth or paper towel with some detergent. Gently rub onto a hidden area of carpet. Wait ten minutes. Blot with white cloth or paper towel and check for color transfer.



- 4** Pretreat **spots, stains and high traffic areas** with MAYTAG Spot and Stain Spray (Fig. 32). Spray spot or area with Spot and Stain Spray. Then proceed with the next cleaning steps.



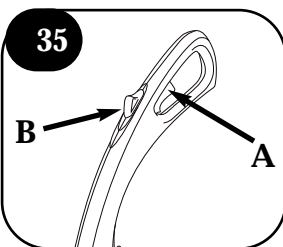
- 5** Fill **solution tank** with hot tap water and proper amount of MAYTAG detergent (see page 5) (Fig. 33). Use only MAYTAG brand detergents in your deep cleaner. Other brands may damage the deep cleaner.



- 6** Plan your cleaning to avoid walking on wet carpet. Start at the end of the room farthest from the exit and work in small sections (Fig. 34).

- 7** Step on handle release pedal and lower handle. Turn cleaner ON.

- 8** Squeeze and hold trigger (A) to release cleaning solution (Fig. 35). Push cleaner forward **SLOWLY** then pull it back **SLOWLY**. Use 'Clean Surge' button (B) in heavily soiled areas (Fig. 35).



- 9** Let go of trigger and push cleaner over same area to pick up dirty solution without putting down more solution. Continue using dry strokes until you see only a little solution coming up through the nozzle (front of cleaner).

- 10** Do not make the carpet too wet! Use no more than two sets of forward and backward strokes while releasing solution. Always follow with dry strokes - the more the better.

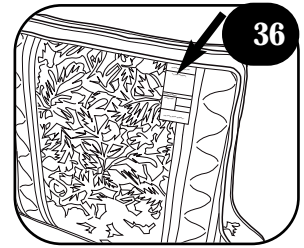
- 11** Listen carefully! When the motor sound changes (rises in pitch), the recovery tank needs to be emptied.

When water has reached the full line in the recovery tank, the cleaner will NOT pick up any more dirty solution.

- 12** Allow carpet to dry. Avoid walking on the carpet until it is dry. Increased air circulation (open doors, turn on fans, etc.) will help carpet dry thoroughly.

- 13** Vacuum thoroughly after carpet has dried. This will reduce any shading left by the deep cleaner's brushes.

Cleaning upholstery



- 1 Check fabric cleaning code (Fig. 36).** The codes indicate whether it is alright to use your deep cleaner to clean the upholstery.
Do not use the deep cleaner on upholstery marked 'Dry Clean Only'. If you are unsure, please refer to the original manufacturer.

- 2 Vacuum upholstery thoroughly** with your vacuum cleaner's attachments.

- 3 Test detergent for colorfastness** on a hidden area of upholstery.
Wet a white cloth or paper towel with some detergent. Gently rub onto a hidden area of upholstery. Wait ten minutes. Blot with white cloth or paper towel and check for color transfer.

- 4 Pretreat spots and stains** with MAYTAG Spot and Stain Spray (Fig. 37).
Spray spot or area with Spot and Stain Spray. Then proceed with the next cleaning steps.

- 5 Fill solution tank** with hot tap water and proper amount of MAYTAG detergent (see page 5)(Fig. 38).
Use only MAYTAG brand detergents in your deep cleaner. Other brands may damage the deep cleaner.

- 6 Attach hose and tool** as described in Figs. 13-19 (Fig. 39).

- 7 Place handle in full upright position.** Turn cleaner ON.

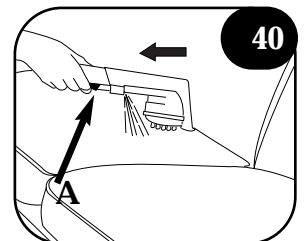
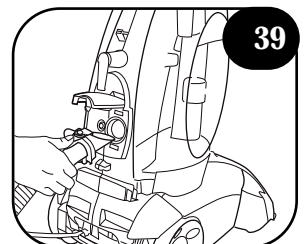
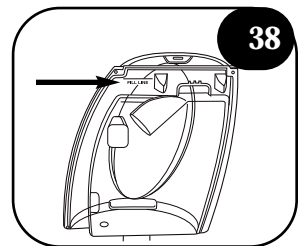
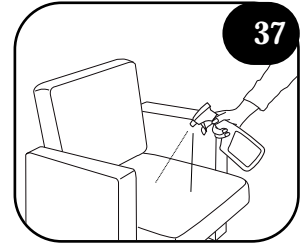
- 8 Squeeze and hold trigger (A) to release cleaning solution.** Gently press tool into fabric and slowly pull the tool over the fabric (Fig. 40).

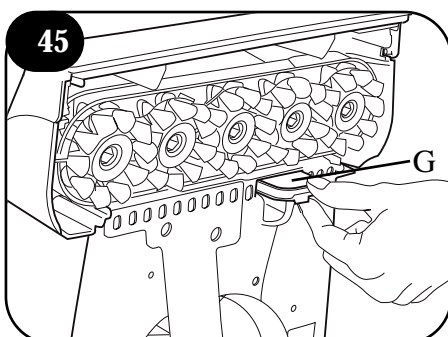
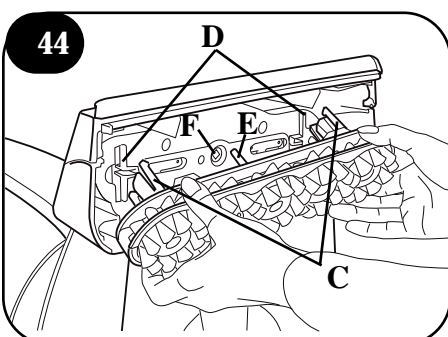
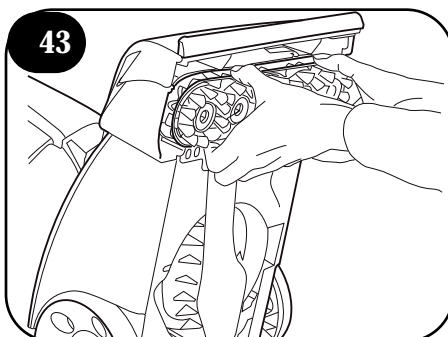
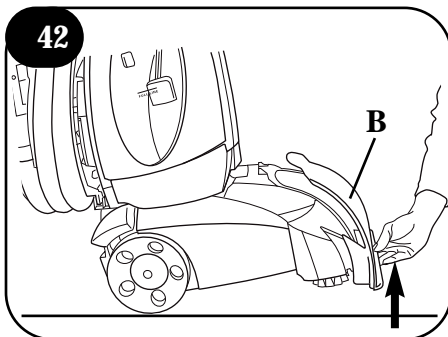
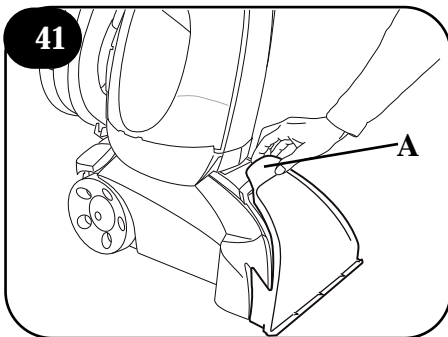
- 9 Let go of trigger and pull tool over same area** to pick up dirty solution without putting down more solution. Continue using dry strokes until you see only a little solution coming up through the tool.

- 10 Do not make the upholstery too wet!** Use no more than two strokes while releasing solution. Always follow with dry strokes - the more the better.

- 11 Listen carefully!** When the motor sound changes (rises in pitch), the recovery tank needs to be emptied.
When water has reached the full line in the recovery tank, the cleaner will NOT pick up any more dirty solution.

- 12 Allow upholstery to dry.** Avoid using upholstery until it is dry.
Increased air circulation (open doors, turn on fans, etc.) will help upholstery dry thoroughly.





Routine care for your Deep Cleaner

Clean the nozzle

Unplug deep cleaner from electrical source.

- Remove solution and recovery tanks to prevent possible leaks.
- Lift up on top of nozzle (A) and slide off cleaner (Fig. 41).
- Wipe debris off nozzle and front of cleaner with a damp cloth.
- Tilt cleaner back, raising front of cleaner off floor. Slide nozzle (B) up from bottom of cleaner (Fig. 42).
- Press on upper portion of nozzle to snap in place.

Clean the brushes

Unplug deep cleaner from electrical source.

- Remove solution and recovery tanks to prevent possible leaks.
- Tilt cleaner back so handle rests on the floor.
- Pull brush assembly firmly to remove (Fig. 43).
- Rinse brushes under running water.

➤ Align posts (C) on brush assembly with slots (D) in cleaner (Fig. 44).

➤ Turn brushes slightly to align square post (E) with square hole (F) in cleaner (Fig. 44).

➤ Press brush assembly firmly and snap in place.

Clean the brush filter

Unplug deep cleaner from electrical source.

➤ Remove solution and recovery tanks to prevent possible leaks.

➤ Tilt cleaner back so handle rests on the floor.

➤ Squeeze filter frame (G) and pull it out until it stops (Fig. 45).

➤ Wipe debris off filter.

➤ Slide filter back into place.

Storing your Deep Cleaner

- ✓ Empty solution tank and rinse thoroughly.
- ✓ Place **empty** solution tank on deep cleaner. Turn deep cleaner ON. Squeeze trigger and push deep cleaner forward and back several times. This will clear any solution remaining inside the cleaner.
- ✓ Empty recovery tank, rinse thoroughly and let air dry.
- ✓ **Allow brushes and underside of deep cleaner to air dry thoroughly before storing deep cleaner on a carpeted or wood surface.**

Lubrication

The motor is equipped with bearings which contain sufficient lubrication for the life of the motor. The addition of lubricant could cause damage. **Do not add lubricant to motor bearings.**

Troubleshooting and Service

Use the list below to help solve minor problems.

What's the problem?	What to do
Deep cleaner won't run	<ul style="list-style-type: none">✓ Make sure the cleaner is plugged in firmly.✓ Check the fuse.
Low suction	<ul style="list-style-type: none">✓ Empty the recovery tank; it may be full and the automatic shut-off engaged.✓ Make sure recovery tank cap is securely latched.
Cleaning solution won't dispense	<ul style="list-style-type: none">✓ Make sure solution tank is securely in place.✓ Refill the solution tank if it is empty.
Brushes won't rotate	<ul style="list-style-type: none">✓ Clean brush filter as described in Fig. 45.✓ Set Brush Speed Selector to ON.
Low suction in hose during tool use	<ul style="list-style-type: none">✓ Make sure recovery tank cap tool use is securely latched.✓ Disconnect hose from cleaner and check for blockage in hose.

If the fault is something that you cannot correct yourself, please contact:

- 01737 231000 - our Consumer Response Centre (9AM - 5PM, Monday - Friday)
- ukservice@maytag.com

IMPORTANT

Cord Replacement

This MAYTAG appliance is supplied complete with a plug.

If the main cord of this appliance is damaged, the appliance must be repaired by an Authorised Maytag Repairer to avoid safety hazard.

Guarantee

The 2 year guarantee on your AGILITY™ Deep Cleaner becomes effective from your date of purchase. We suggest you record the model and serial number from the information plate on your AGILITY™ Deep Cleaner and retain it with your original proof of purchase.

This guarantee covers all materials and manufacturer assembly of your AGILITY™ Deep Cleaner.

All repairs must be authorised in advance by our Consumer Response Centre and subsequently completed by an authorised agent. Any repair completed under guarantee will not extend the original period of your product guarantee.

This guarantee applies to normal domestic use only.

This guarantee does not cover normal wear and tear, negligence, misuse, accidental damage, blockages or consumable items.

This guarantee does not cover any consequential loss.

These guarantee benefits are in addition to your statutory rights.

Basic steps for cleaning

- Vacuum carpet thoroughly to remove loose dirt.

- Test detergent for colorfastness on a hidden area of carpet or upholstery.

- Pretreat spots, stains and high traffic areas with MAYTAG Spot and Stain Spray. Blot spots or stains to remove as much of the spot as possible.


- Fill solution tank with hot tap water and proper amount of MAYTAG detergent.
Use only MAYTAG brand detergents in your deep cleaner. Other brands may damage the cleaner.

- Clean the carpet or upholstery.
 - Squeeze and hold trigger. Move cleaner forward and back.
 - Release trigger and go over same area to pick up dirty solution. Use additional dry strokes to remove more dirty solution.
 - Tough spots and stains may need additional treatment with Spot and Stain Spray.

- Listen carefully! When the motor sound rises in pitch or changes, the recovery tank needs to be emptied.
When the recovery tank is full, the cleaner will no longer pick up dirty solution.

- Allow time for the carpet or upholstery to dry. Avoid walking on carpet or using upholstery until it is completely dry.

- When carpet and/or upholstery are dry, vacuum one more time.

*MAYTAG and  are registered trademarks